

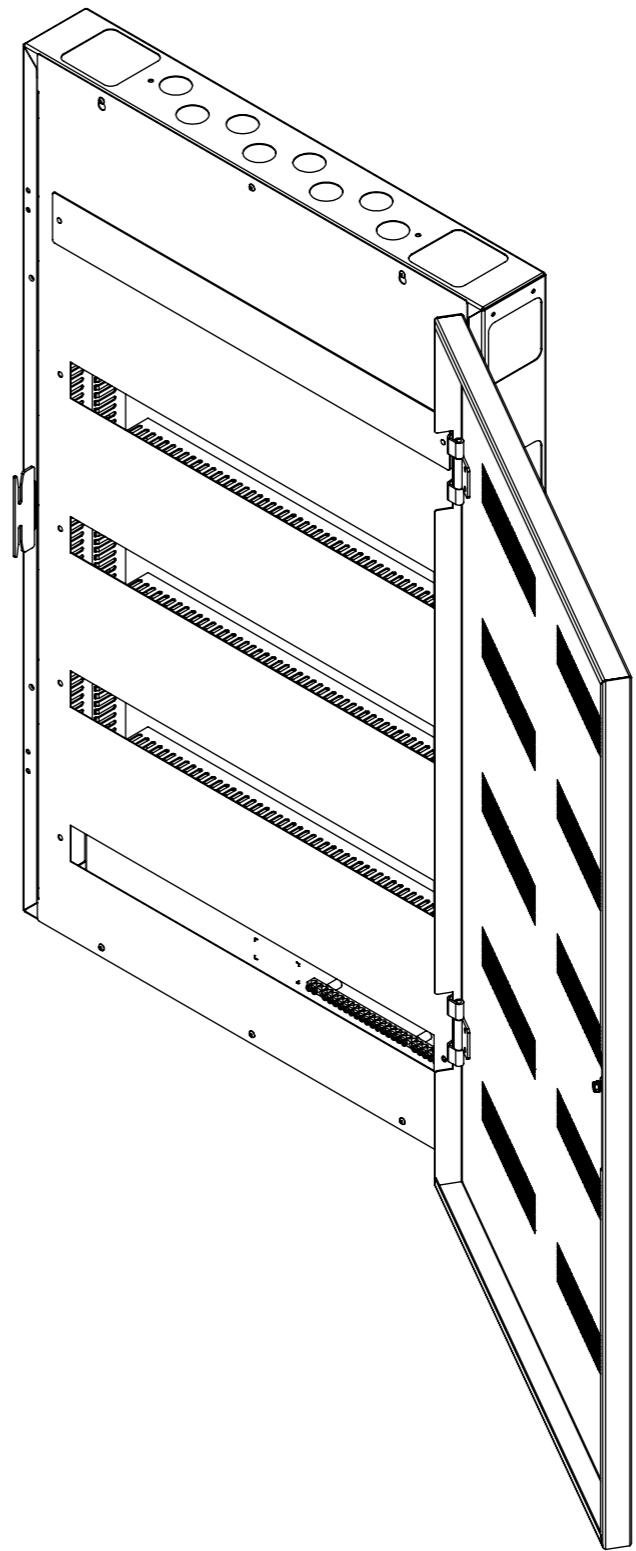
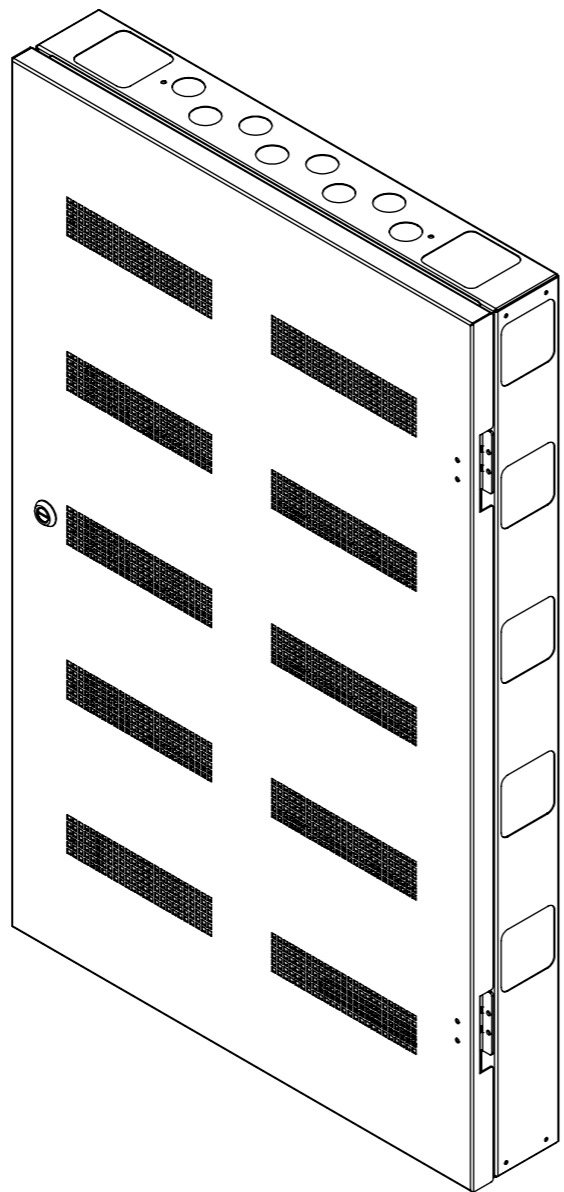


DESIGN HIGHLIGHTS

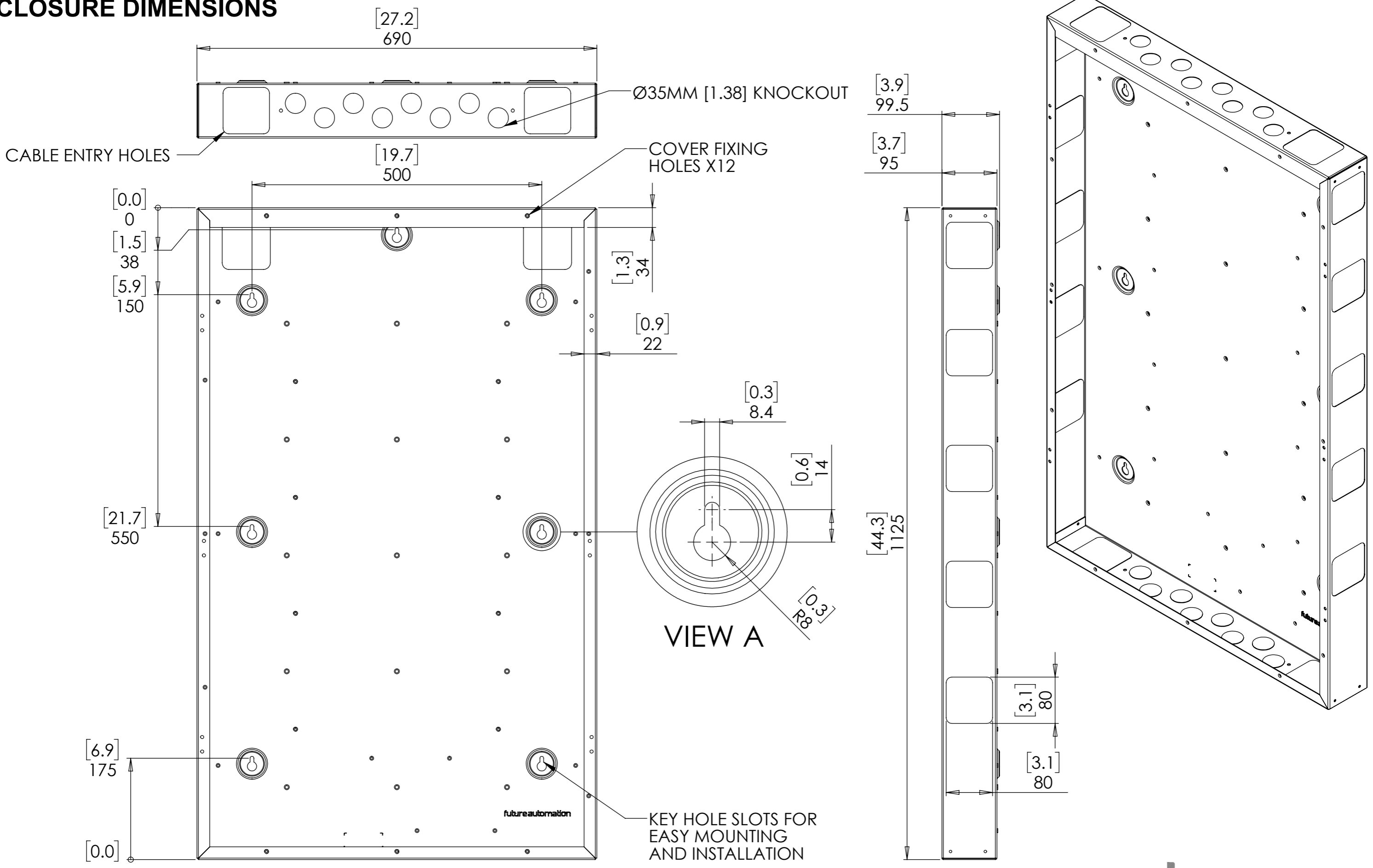
- Full Cable Managing Trunking
- Easy Installation / Mounting
- Removable Front Cover
- Reversible Locking Vented Door

OPTIONS

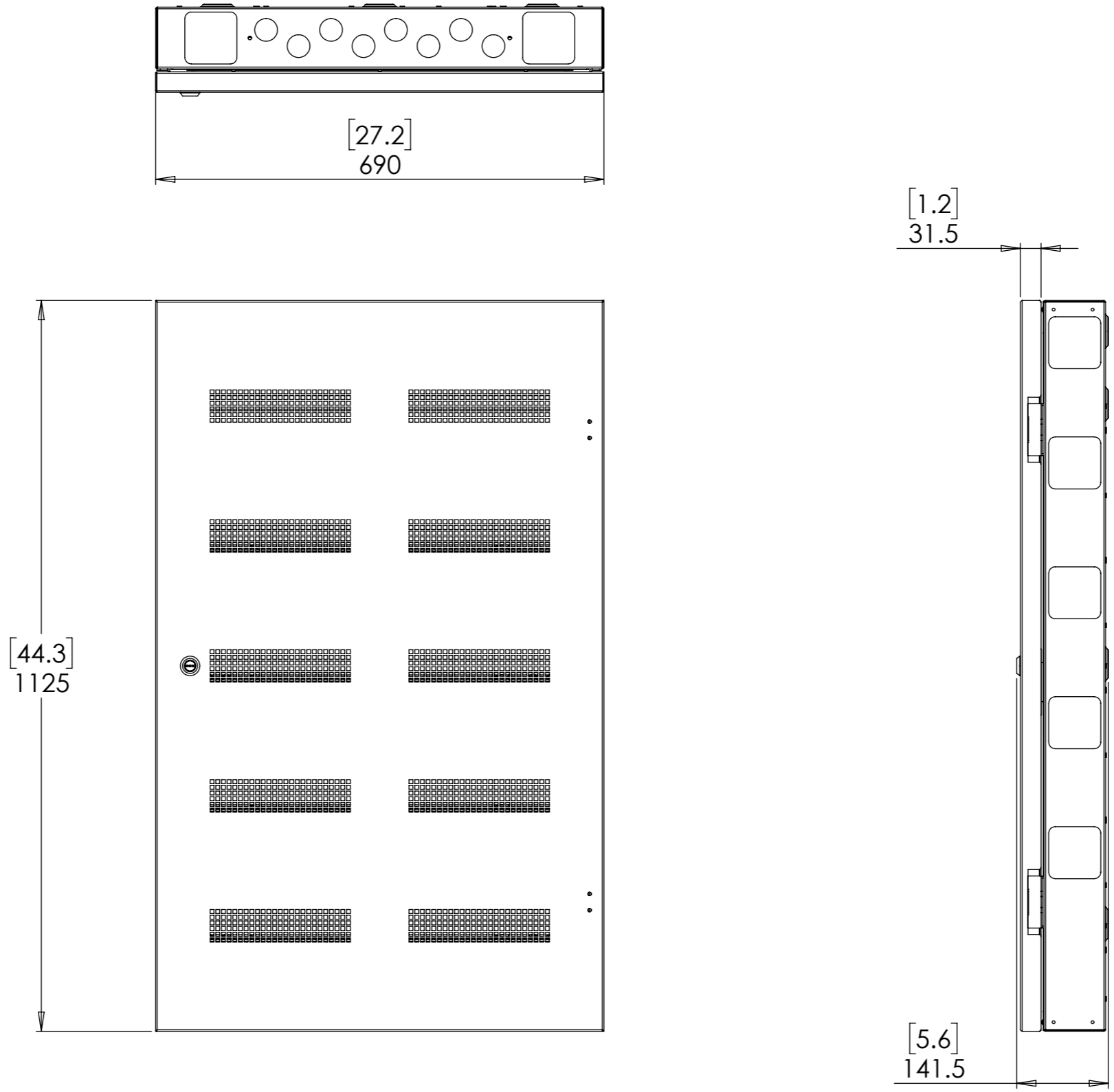
- 3 Standard Size Options
DIN 3 - 3 DIN RAILS
DIN 4 - 4 DIN RAILS
DIN 5 - 5 DIN RAILS



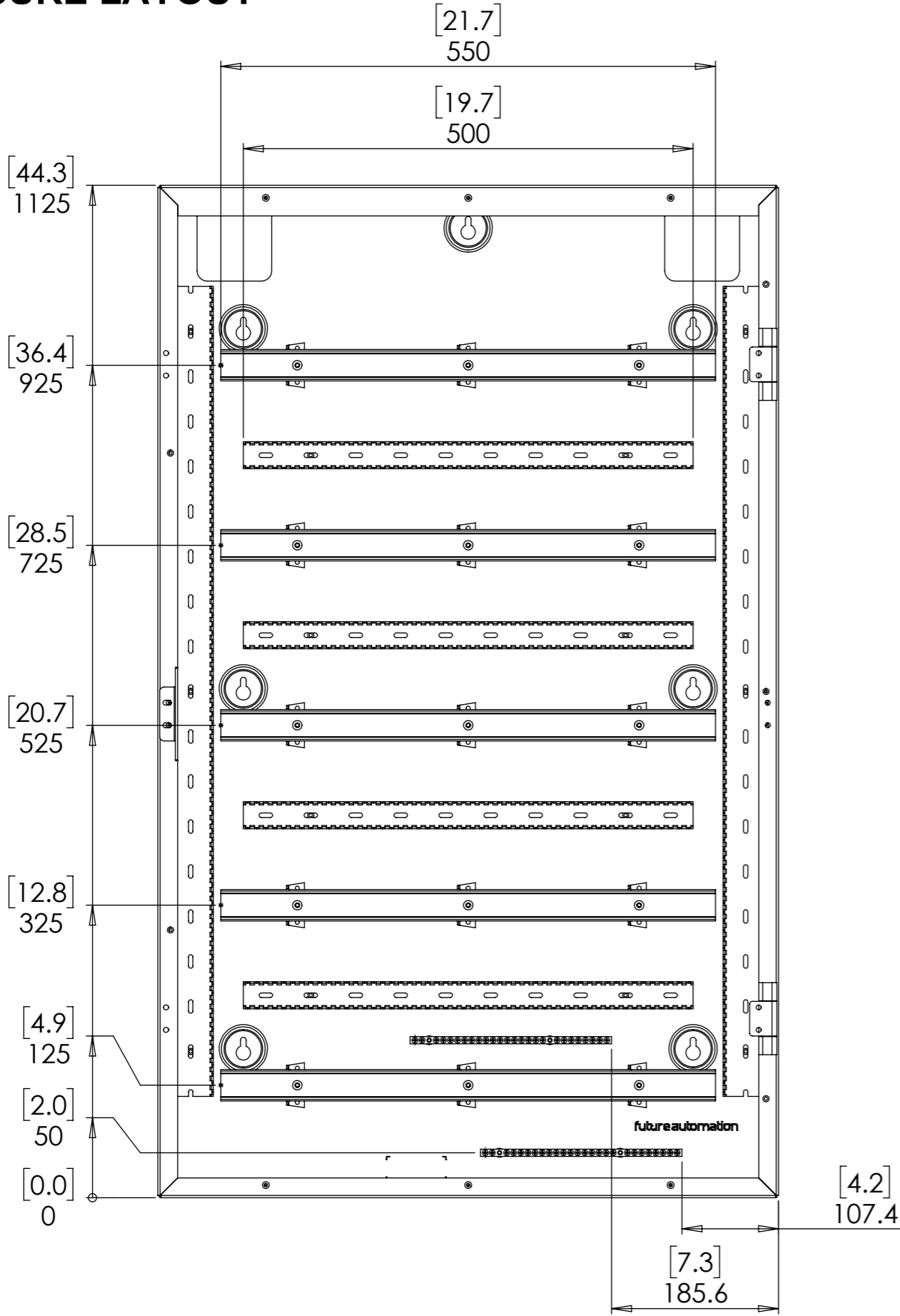
ENCLOSURE DIMENSIONS



OVERALL DIMENSIONS



ENCLOSURE LAYOUT



50 x 75mm
CABLE TRUNKING

30 MODULE
LONG RAILS

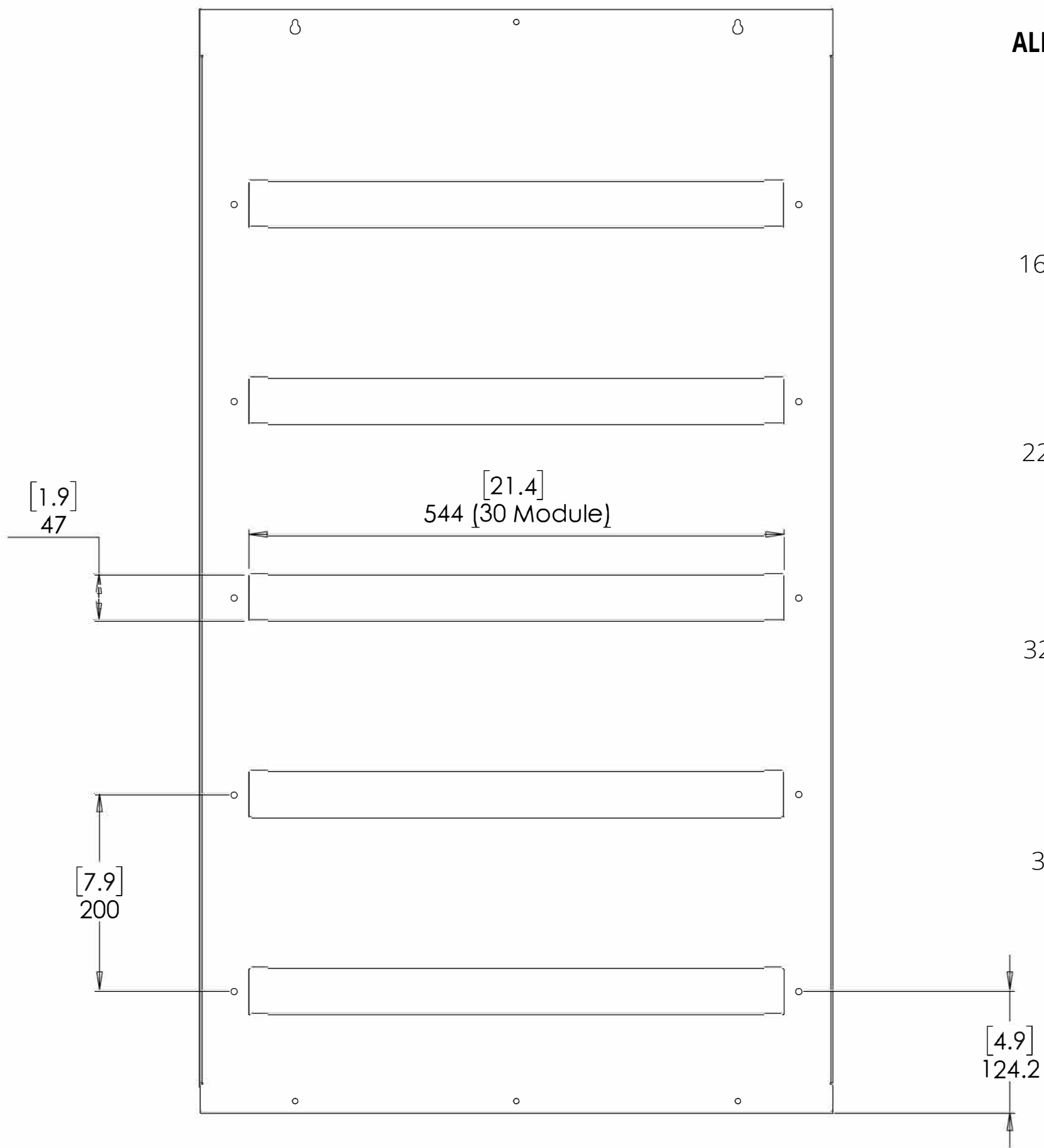
30 x 75mm
CABLE TRUNKING

2 X EARTH BARS

METAL ENCLOSURE

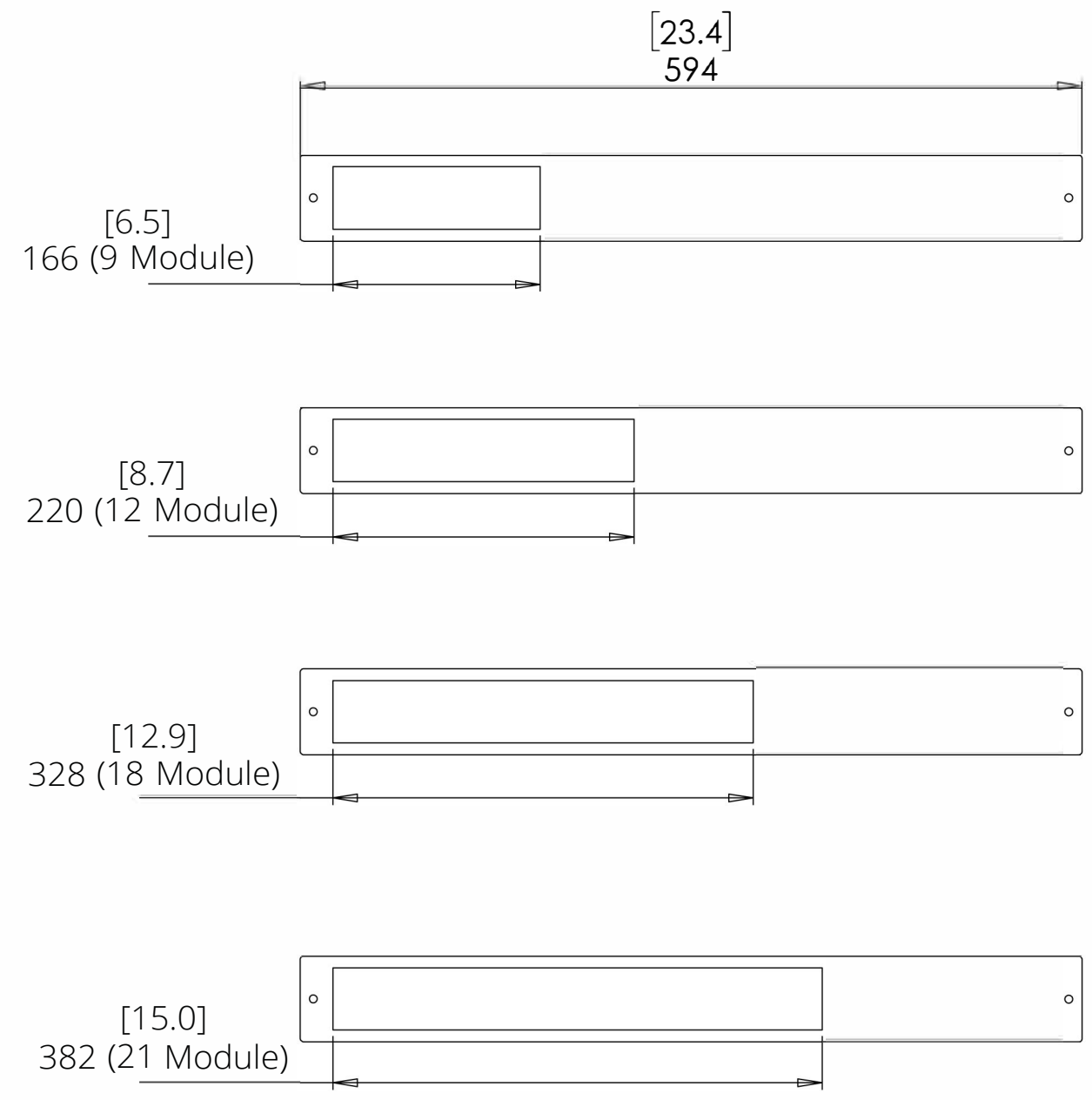
FRONT COVER AND PANEL COVERS

Front cover and panel cover options to suit different set ups



MODULE TRIM PLATES AVAILABLE IN 9 (LCP-MTP1), 12 (LCP-MTP2), 18 (LCP-MTP3) AND 21 (LCP-MTP4) MODULE SIZES.

ALLOWING FOR NEAT FINISHING WITH DIFFERENT SET UPS OF BREAKER AND MODULES



REVERSIBLE DOOR OVERVIEW

Door shown opening towards right hand side
In order to switch to left hand side opening, simply remove
front cover panel and swap latch bracket and hinge outers over

